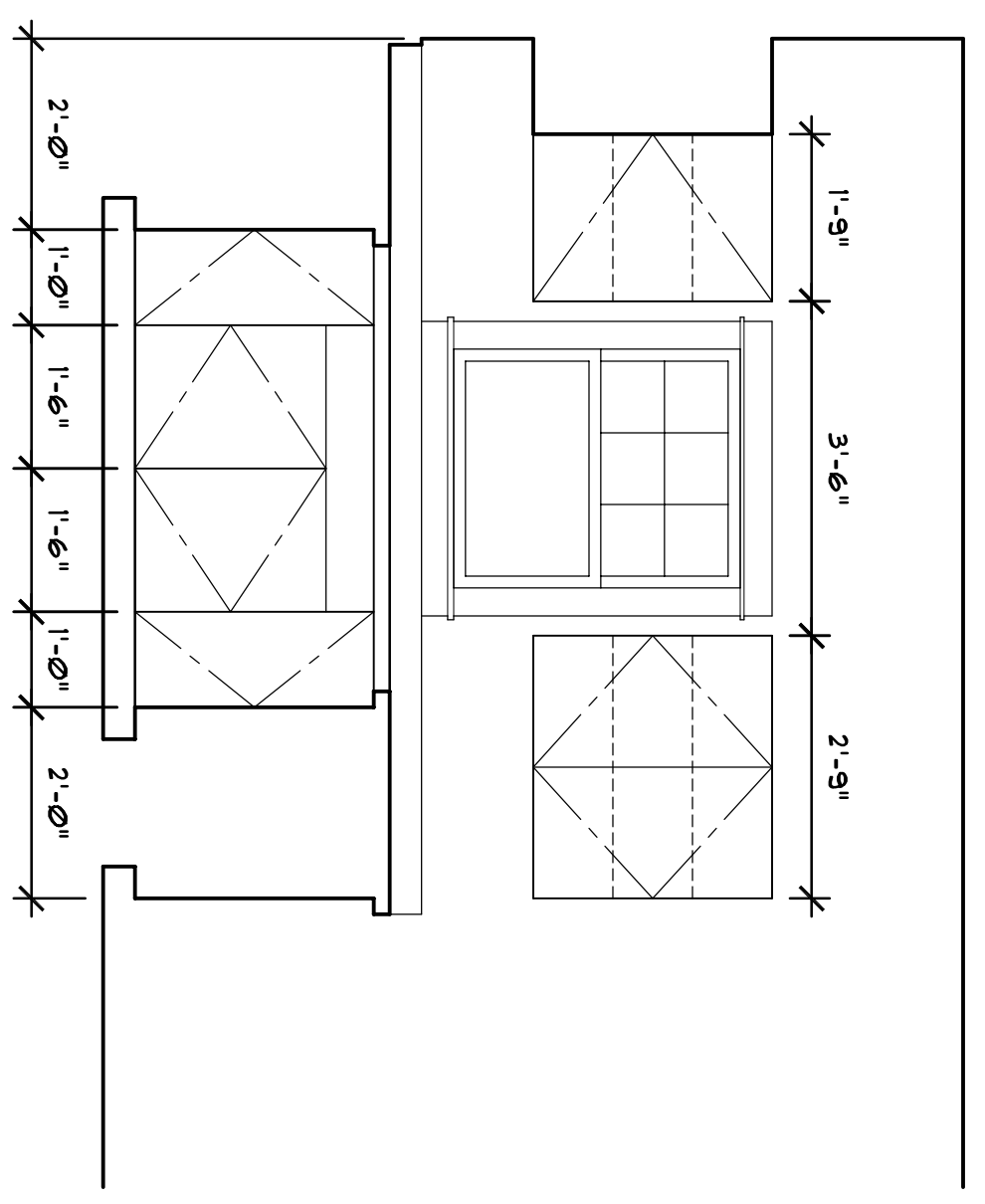
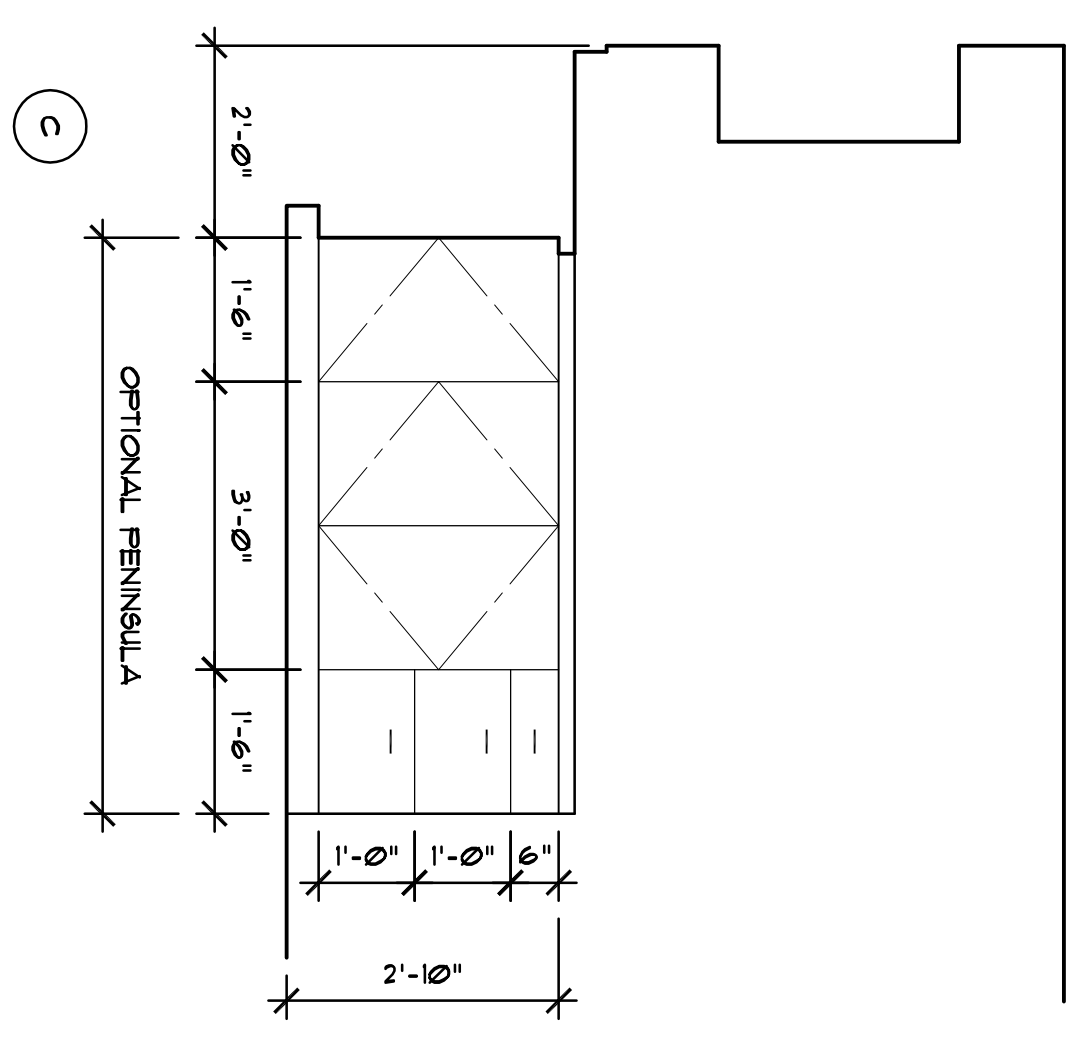


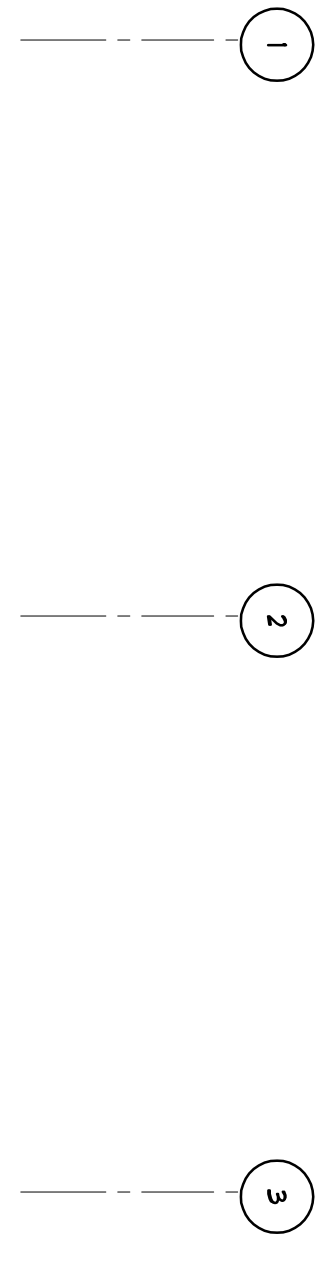
**KITCHEN ELEVATIONS**  
 SCALE: 1/2"=1'-0"



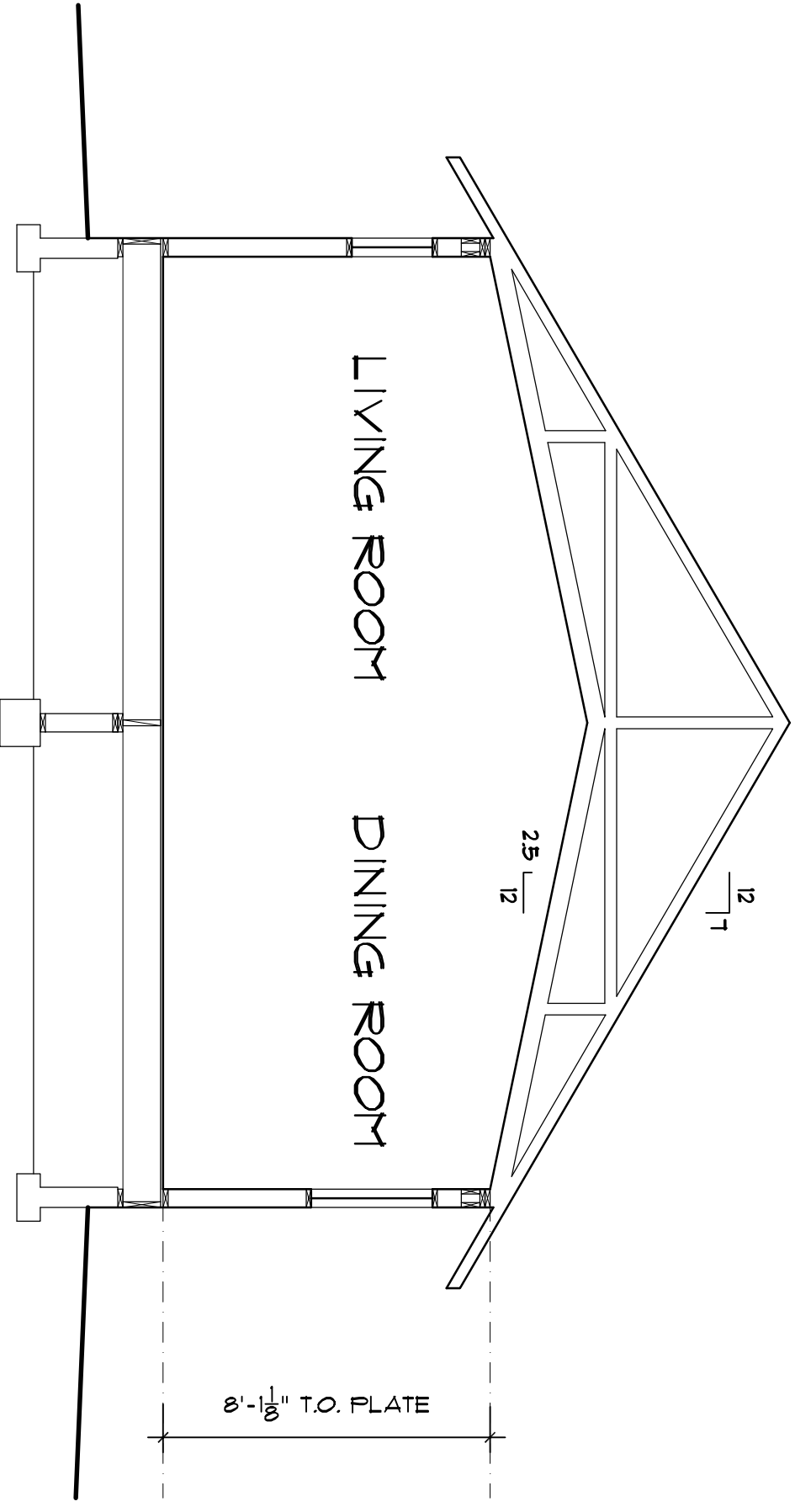
**B**



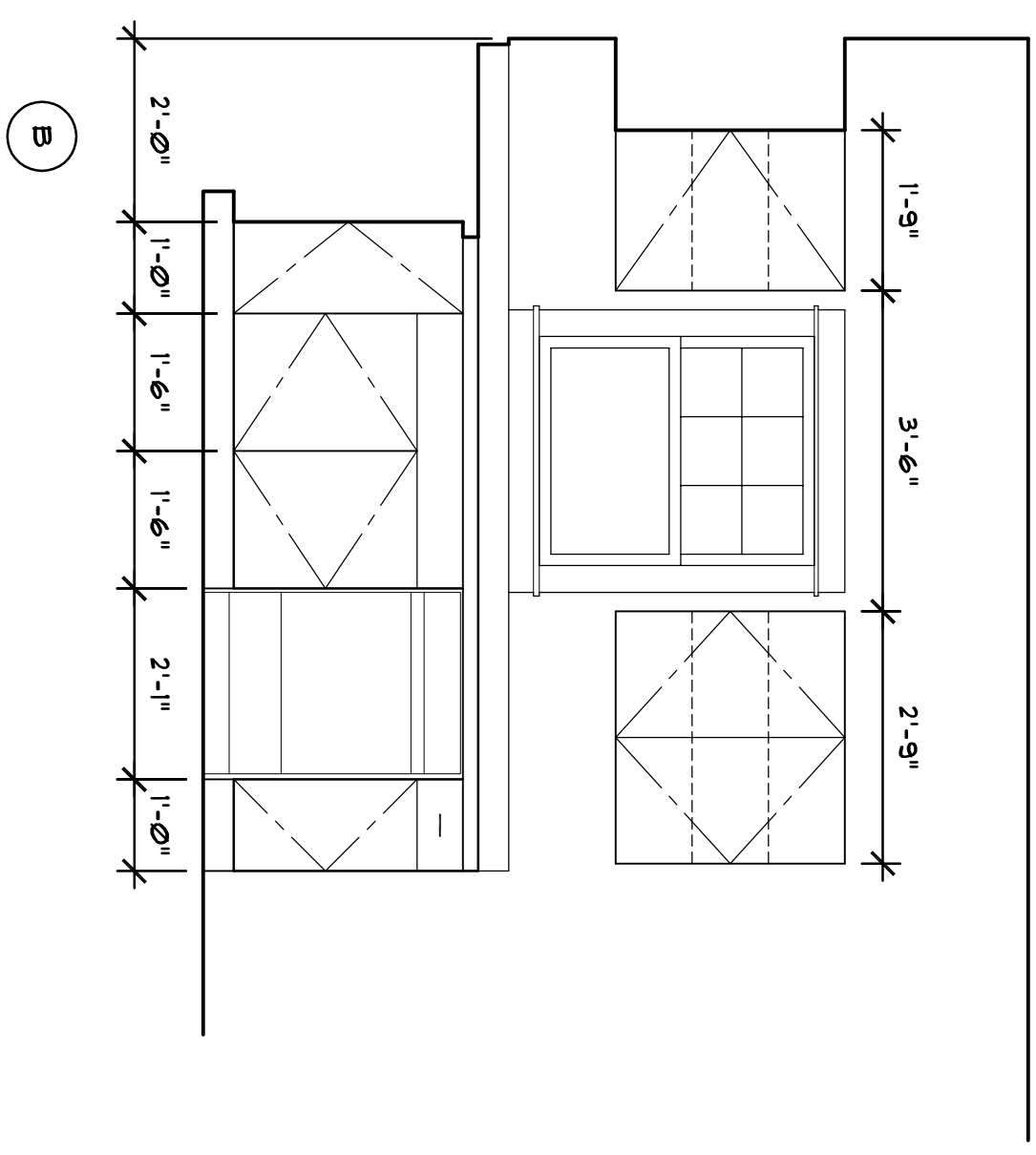
**C**



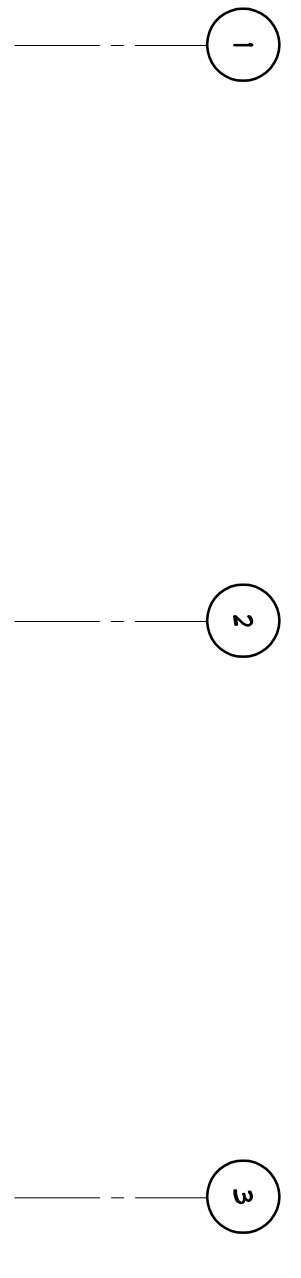
**SECTION 1**



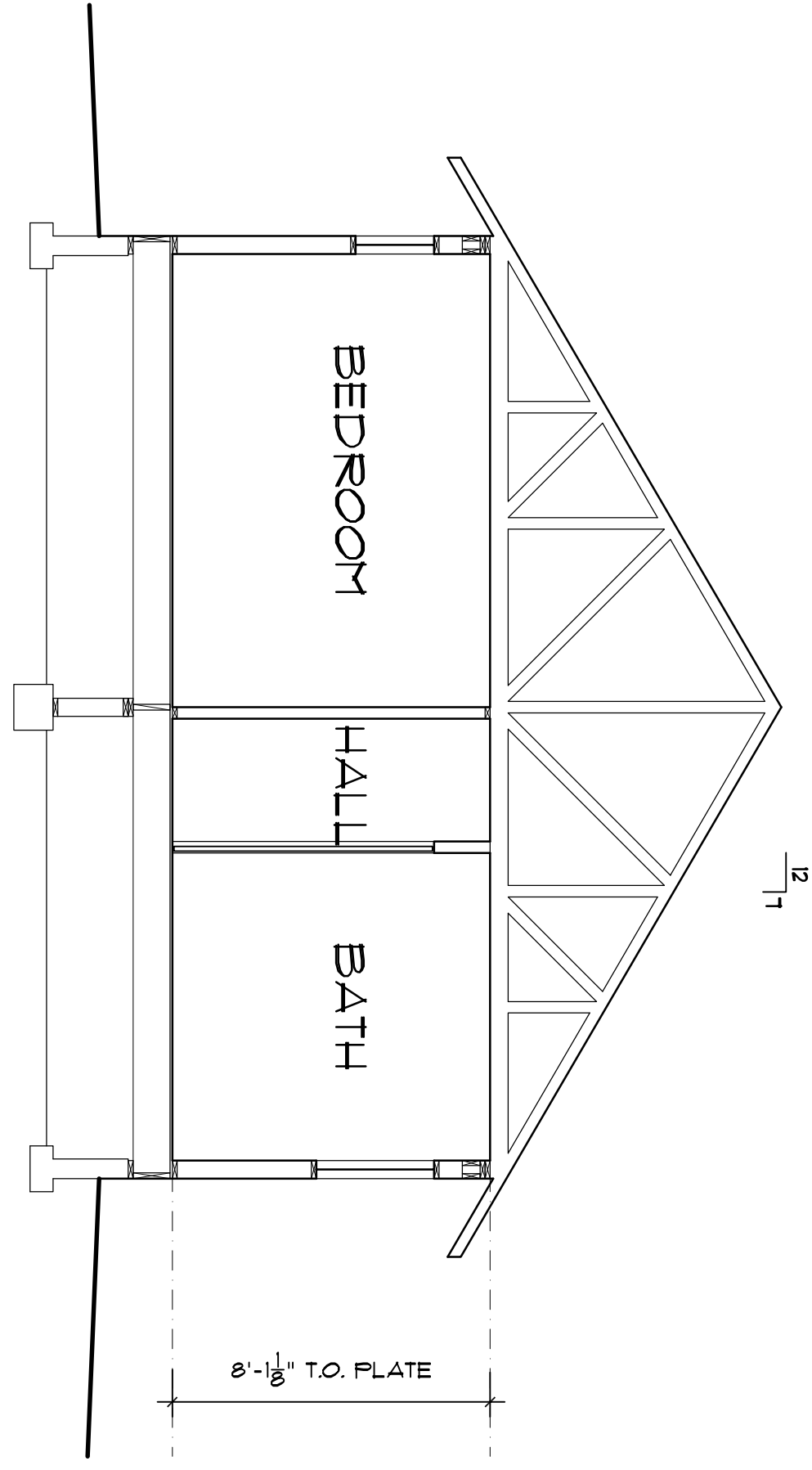
**ALT. KITCHEN ELEVATION**  
 SCALE: 1/2"=1'-0"



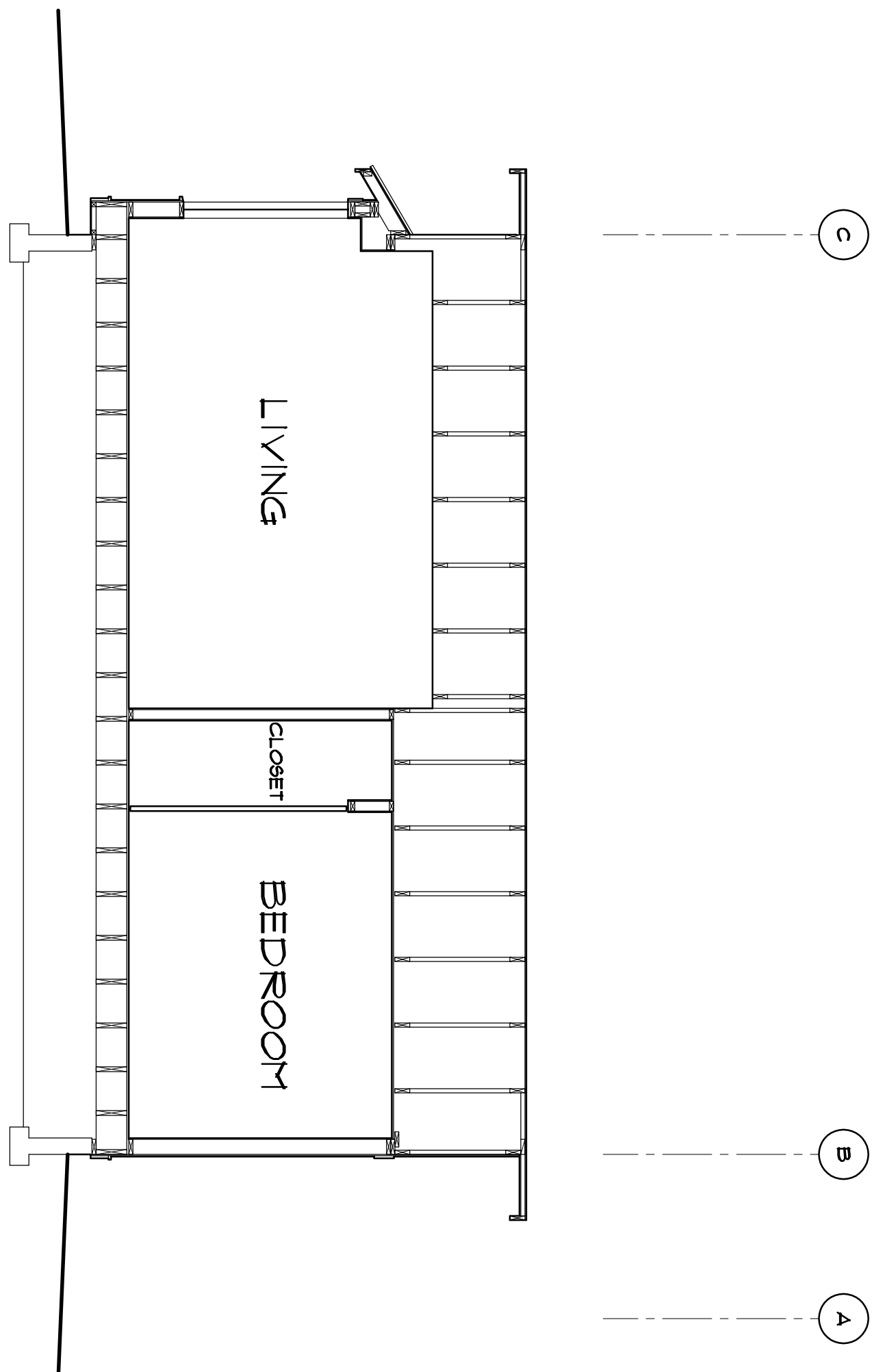
**B**



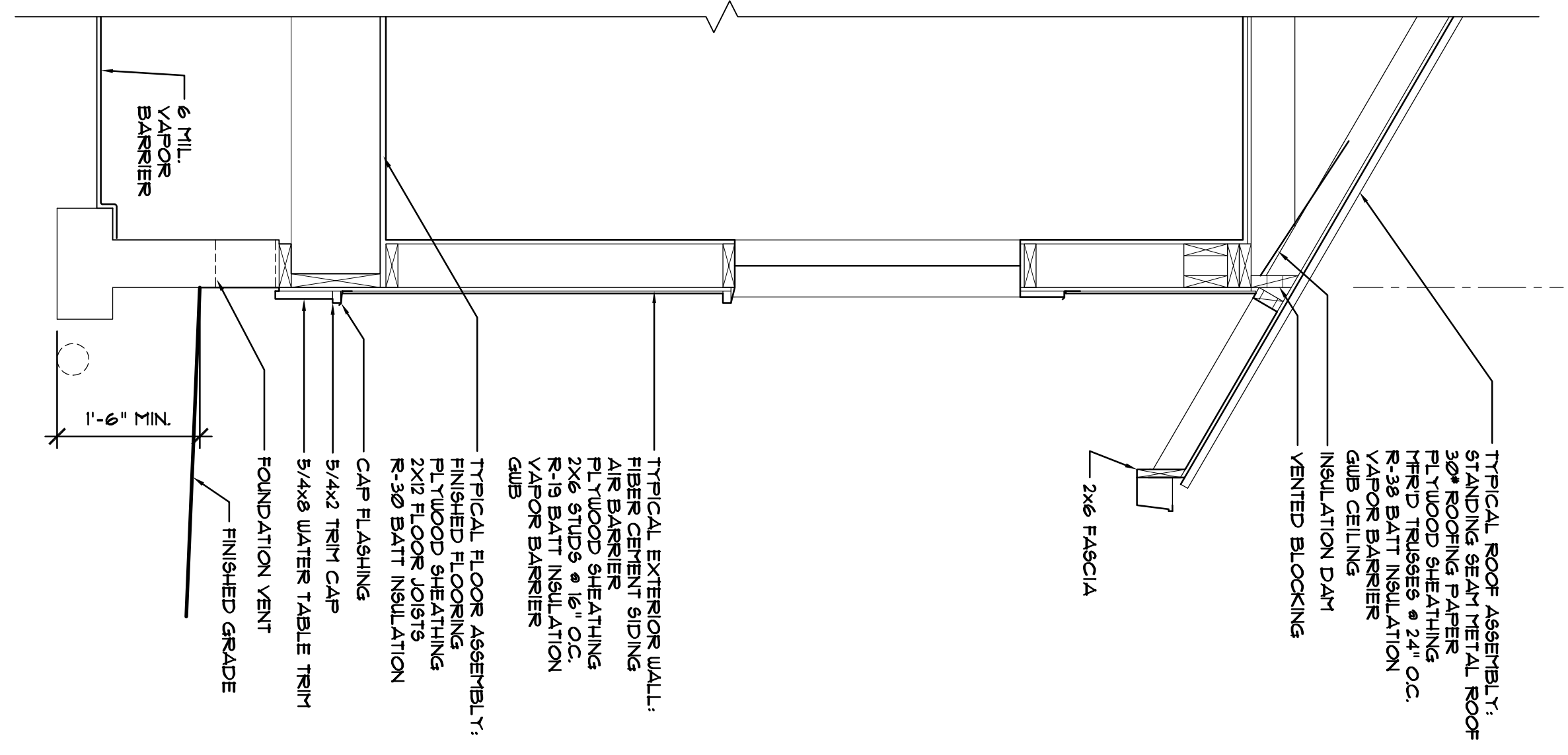
**SECTION 2**



**SECTION 3**



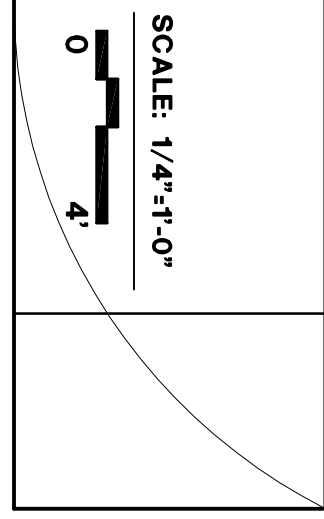
**WALL SECTION 4**  
 SCALE: 3/4"=1'-0"



TYPICAL ROOF ASSEMBLY:  
 STANDING SEAM METAL ROOF  
 30# ROOFING SEAL METAL ROOF  
 PLYWOOD SHEATHING  
 2x6 STUDS @ 16" O.C.  
 R-30 BATT INSULATION  
 VAPOR BARRIER  
 GYPSUM CEILING  
 INSULATION DAM  
 VENTED BLOCKING  
 2x6 FASCIA

TYPICAL EXTERIOR WALL:  
 FIBER CEMENT SIDING  
 AIR BARRIER  
 PLYWOOD SHEATHING  
 2x6 STUDS @ 16" O.C.  
 R-30 BATT INSULATION  
 VAPOR BARRIER  
 GYPSUM

TYPICAL FLOOR ASSEMBLY:  
 FINISHED FLOORING  
 2x10 FLOOR JOISTS @ 16" O.C.  
 R-30 BATT INSULATION  
 CAP FLASHING  
 5/4x2 TRIM CAP  
 5/4x8 WATER TABLE TRIM  
 FOUNDATION VENT  
 FINISHED GRADE



**OPAL MT. BAKER ONE BEDROOM**  
 OPAL COMMUNITY LAND TRUST

BUILDING SECTIONS  
 WALL SECTIONS  
 INTERIOR ELEVATIONS

DATE	04/07/08
REV.	
CHECKED	
DRAWN	

**A4.1**